

Pneumatic Relays

RP971 Pneumatic Ratio Relay



A four port non-bleed pneumatic relay which produces a modulating pressure output, proportional in a fixed ratio to pilot input changes. It is used to control pneumatic valve or damper actuators in sequence from a single thermostat. Replacement actuators are available for Johnson, Powers, Robertshaw, Barber-Colman, and older Honeywell devices.

- Adjustable pilot start point pressures.
- Two pilot pressure spans available.
- Four sharp-barb air connections.
- Molded plastic construction with neoprene.
- Mounting clip provided.

Type: Pneumatic, Four Port Ratio Relay

Dimensions, Approximate: 2 in. diameter x 2 5/8 in. deep (52 mm dia. x 67 mm deep)

Action: Direct Acting

Mounting: Wall or In-line or panel

Airflow Usage: 0.002 scfm (1.0 mL/s) maximum

Air Connections: Barb fittings, Port 1: 1/4 in. (6 mm) O.D. plastic tubing; Other Ports: 5/32 in. (4 mm) O.D. plastic tubing

Capacity: 0.039 scfm at 1 psi differential (18 mL/s at 5 kPa differential)

Operating Humidity Range: 5 to 95% RH

Temperature Range: 0 F to 140 F (-18 C to +60 C)

Maximum Safe Operating Pressure: 30 psi (205 kPa)

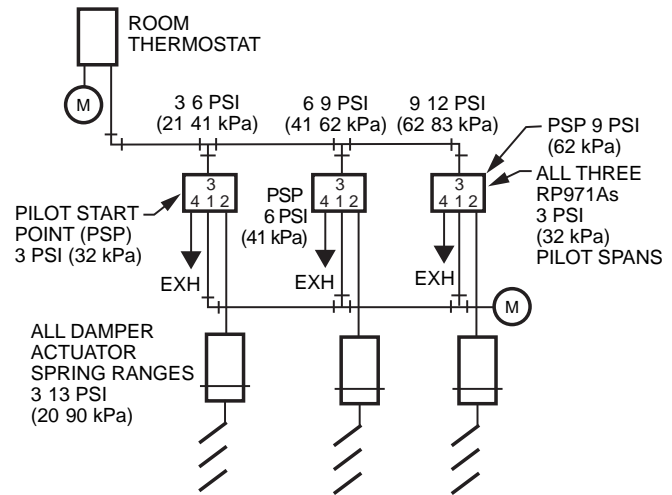
Pilot Start Pressure: Adjustable 0 to 10 psi (Adjustable 0 to 69 kPa)

Accessories:

801629T-Clip for surface mounting

14003203-003-Conversion Kit to convert Johnson, Powers, Robertshaw, Barber Coleman and older Honeywell switches

RP971A Typical Piping



C4478-1

Product Number	Operation	Pilot Input Span		Output Span		Includes
		(psi)	(kPa)	(psi)	(kPa)	
RP971A1007/U	Produces modulating pressure output proportional to pilot pressure input changes	3 psi input span for 3 to 13 psi output	—	3 to 13 psi	21 to 90 kPa	14003030-002 Mounting Clip and scaleplate with psi markings
RP971A1015/U	Produces modulating pressure output proportional to pilot pressure input changes	5 psi input span for 3 to 13 psi output	—	3 to 13 psi	21 to 90 kPa	14003030-002 Mounting Clip and scaleplate with psi markings
RP971A1023/U	Produces modulating pressure output proportional to pilot pressure input changes	—	21 kPa input span for 21 to 90 kPa output	3 to 13 psi	21 to 90 kPa	14003030-002 Mounting Clip and scaleplate with kPa markings
RP971A1031/U	Produces modulating pressure output proportional to pilot pressure input changes	—	34 kPa input span for 34 to 90 kPa output	3 to 13 psi	21 to 90 kPa	14003030-002 Mounting Clip and scaleplate with kPa markings